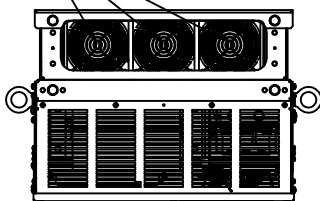
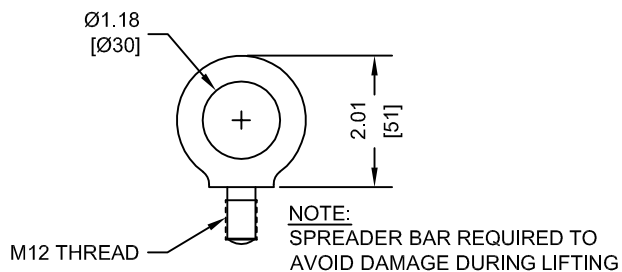


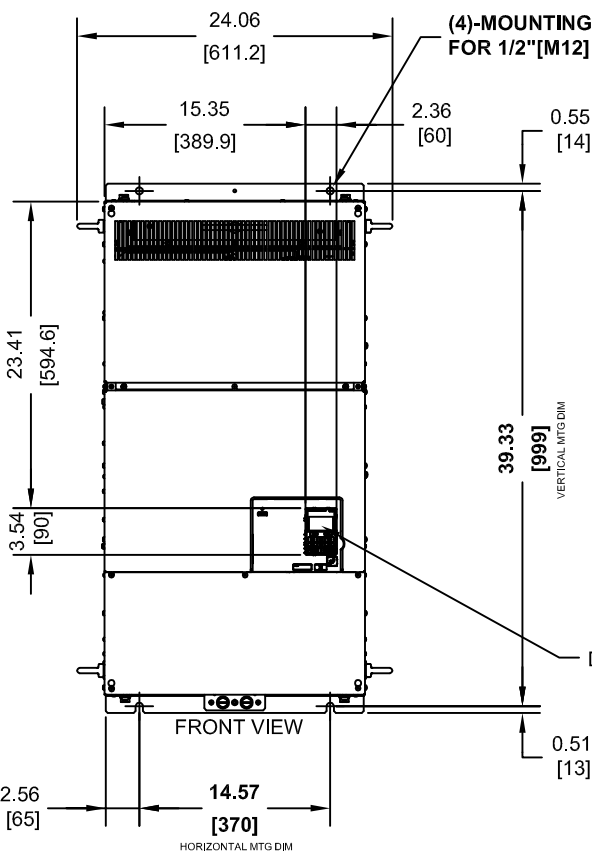
(3) EXTERNAL COOLING FANS



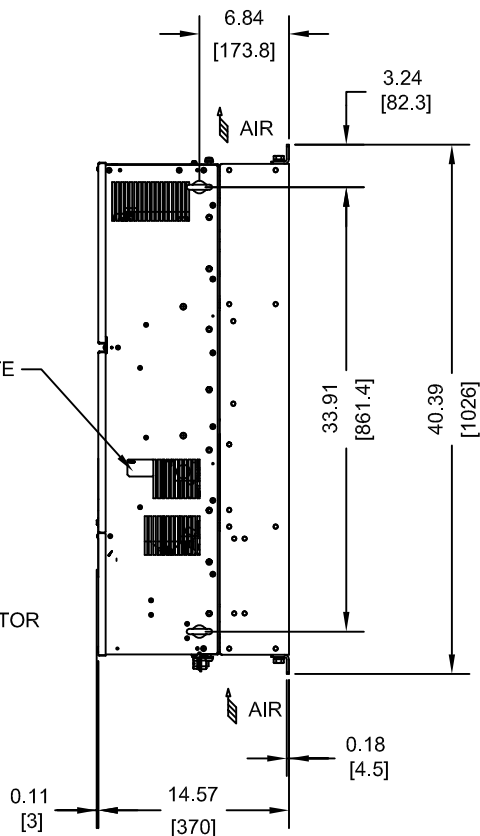
LIFTING AND EYEBOLT DETAILS



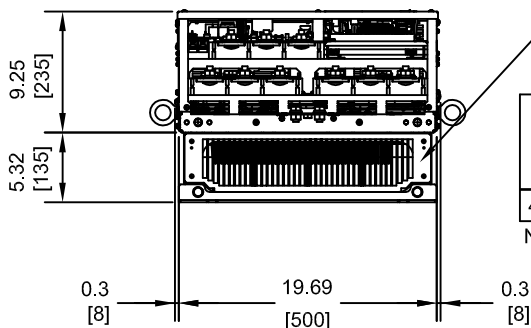
(4)-MOUNTING HOLES FOR 1/2" [M12] SCREWS



NAMEPLATE
DIGITAL OPERATOR



OPTIONAL CAPACITOR COVER
WHEN USING AN EXTERNAL MOUNT HEATSINK, UL COMPLIANCE REQUIRES COVERING EXPOSED CAPACITORS IN THE MAIN CIRCUIT TO PREVENT INJURY. CONSULT MANUAL FOR DETAILS.



MODEL #	CIMR-AU	INPUT TYPE	VOLTAGE 3-PHASE (VAC)	OUTPUT CURRENT (A)		WEIGHT LBS (Kg)	HEAT LOSS (W)					
				ND	HD		ND (Fc=2kHz)			HD (Fc=2kHz)		
							INT	EXT	TOT	INT	EXT	TOT
4T0414AXX	12 PULSE	380/480	414	370	268 (122)	1083	3443	4526	1012	3578	4590	

NOTES:
XX DENOTES AA-ZZ

INT=INTERNAL COMPONENTS
EXT=EXTERNAL HEATSINK
TOT=TOTAL

FOR ADDITIONAL DETAILS AND SPECIFICATIONS, CONSULT MANUAL

TOLERANCES / REFERENCES:



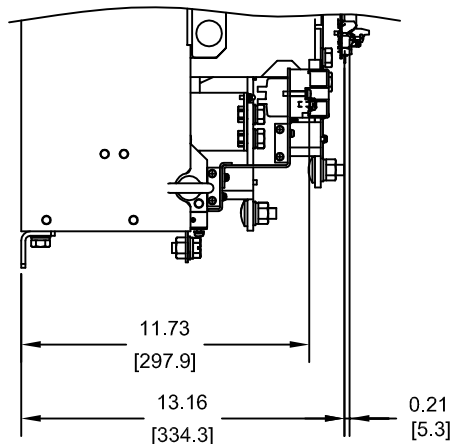
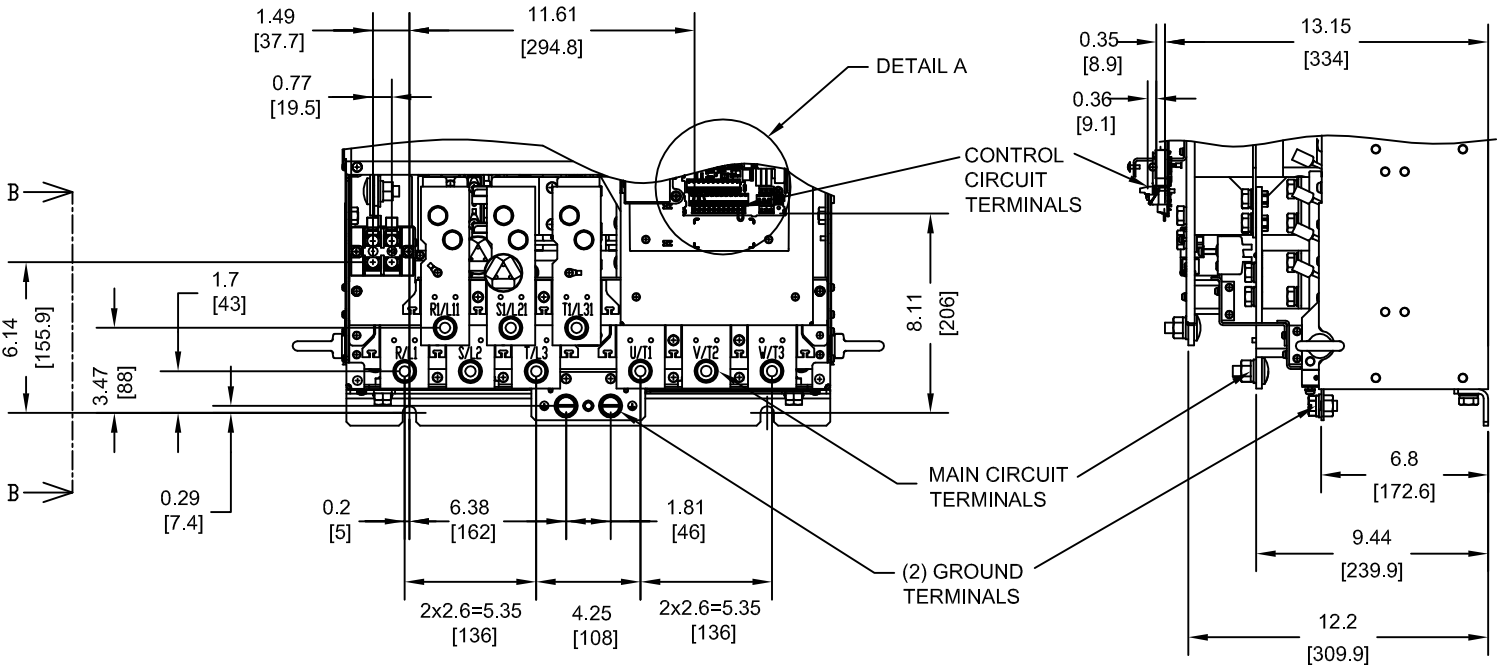
THIS DOCUMENT AND INFORMATION CONTAINED IN IT ARE CONFIDENTIAL, AND CANNOT BE COPIED OR DISCLOSED IN WHOLE OR IN PART WITHOUT THE EXPRESS WRITTEN CONSENT OF YASKAWA AMERICA, INC.

DRAWN: J. MATTAS	DATE 6-26-14
CHECKED: J. PIOTROWSKI	DATE 7-1-14
TECH: J. BORJA	DATE 7-2-14
APPROVED: J. CAIRO	DATE 8-12-14
ORIGINAL DESIGN:	DATE

TITLE: A1000 DIMENSION DRAWING FRAME SIZE 13B IP00 ENCLOSURE 4T0414A		
SIZE A	REVISION R01	PAGE 1 of 3
DRAWING #: DD.A1K.FR13B.IP00		

UNITS: IN [mm] SCALE: 1:15

TERMINAL AND WIRING DETAILS (SCALE 1:8)

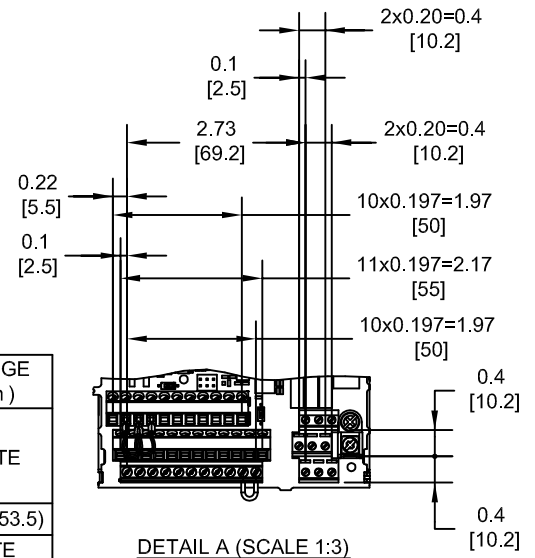


SECTION B-B

TERMINAL AND WIRE SPECIFICATIONS FOR MAIN CIRCUIT AND GROUND

MODEL #	TERMINAL SYMBOL	TERMINAL SCREW	CLAMPING TORQUE lb.in.(N.m.)	WIRE RANGE AWG(mm)
4T0414A	R/L1, S/L2, T/L3	M12	283.2 TO 354.0 (32 TO 40)	SEE NOTE
	R1/L11, S1/L21, T1/L31			
	U/T1, V/T2, W/T3			
	⊖, ⊕3	M6	22.1 TO 26.6 (2.5 TO 3.0)	22-1/0 (0.3-53.5)
	⊕	M12	283.2 TO 354.0 (32 TO 40)	SEE NOTE

NOTE: REFER TO APPLICABLE CODES FOR PROPER WIRE TYPE AND SIZE

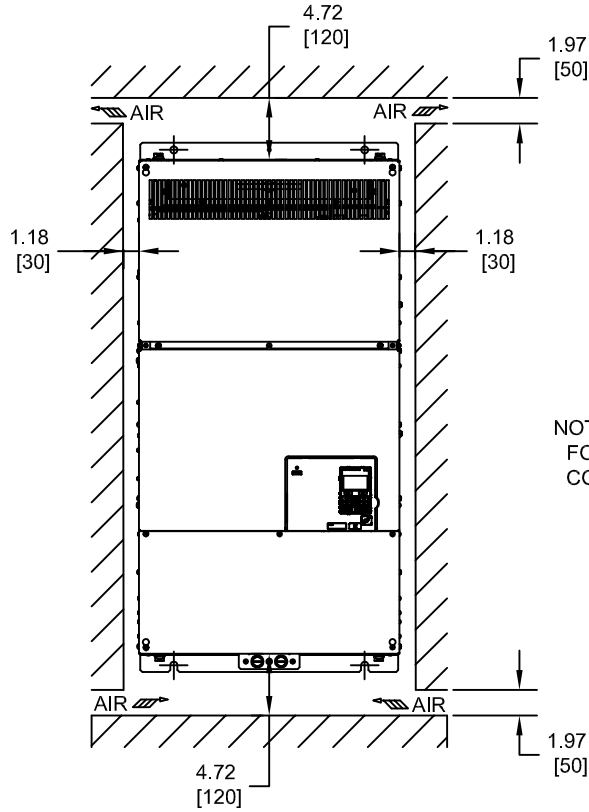


DETAIL A (SCALE 1:3)

FOR ADDITIONAL DETAILS AND SPECIFICATIONS, CONSULT MANUAL

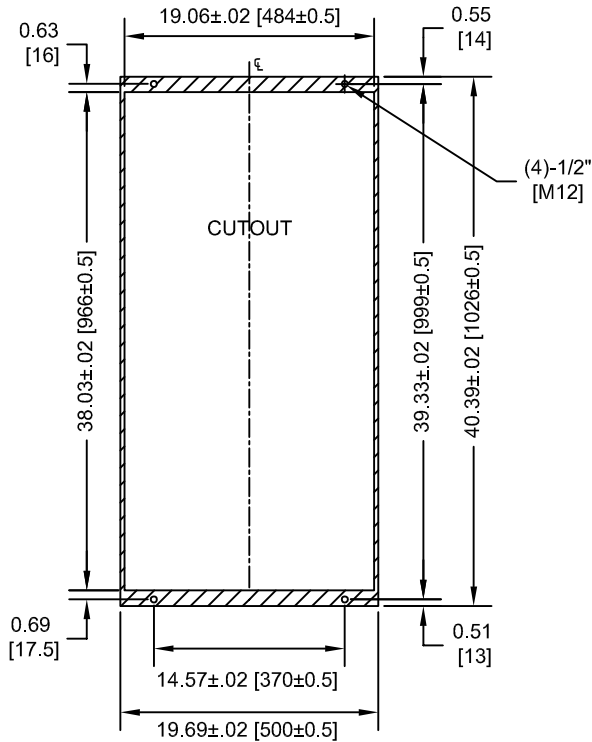
TOLERANCES / REFERENCES:			DRAWN: J. MATTAS CHECKED: J. PIOTROWSKI TECH: J. BORJA APPROVED: J. CAIRO ORIGINAL DESIGN: -	DATE: 6-26-14 DATE: 7-1-14 DATE: 7-2-14 DATE: 8-12-14 DATE: -	TITLE: A1000 DIMENSION DRAWING FRAME SIZE 13B IP00 ENCLOSURE 4T0414A
UNITS: IN [mm]	SCALE: BY VIEW		THIS DOCUMENT AND INFORMATION CONTAINED IN IT ARE CONFIDENTIAL, AND CANNOT BE COPIED OR DISCLOSED IN WHOLE OR IN PART WITHOUT THE EXPRESS WRITTEN CONSENT OF YASKAWA AMERICA, INC.	SIZE: A REVISION: R01 DRAWING #: DD.A1K.FR13B.IP00	PAGE: 2 of 3

MINIMUM INSTALLATION CLEARANCES (SCALE 1:15)



NOTE:
FOR SIDE-BY-SIDE MOUNTING
CONSULT MANUAL

PANEL CUTOUT FOR EXTERNAL HEATSINK
MOUNTING CONFIGURATION (SCALE 1:15)



NOTE:
EXPOSED HEATSINK DEPTH
D=5.32" MINUS PANEL THICKNESS

FOR ADDITIONAL DETAILS AND SPECIFICATIONS, CONSULT MANUAL

TOLERANCES / REFERENCES:			DRAWN: J. MATTAS	DATE: 6-26-14	TITLE: A1000 DIMENSION DRAWING		
			CHECKED: J. PIOTROWSKI	DATE: 7-1-14	FRAME SIZE 13B IP00 ENCLOSURE 4T0414A		
		THIS DOCUMENT AND INFORMATION CONTAINED IN IT ARE CONFIDENTIAL, AND CANNOT BE COPIED OR DISCLOSED IN WHOLE OR IN PART WITHOUT THE EXPRESS WRITTEN CONSENT OF YASKAWA AMERICA, INC.			TECH: J. BORJA	DATE: 7-2-14	
					APPROVED: J. CAIRO	DATE: 8-12-14	
UNITS: IN [mm]	SCALE: BY VIEW				ORIGINAL DESIGN: -	DATE: -	
					SIZE: A	REVISION: R01	PAGE: 3 of 3
DRAWING #: DD.A1K.FR13B.IP00							